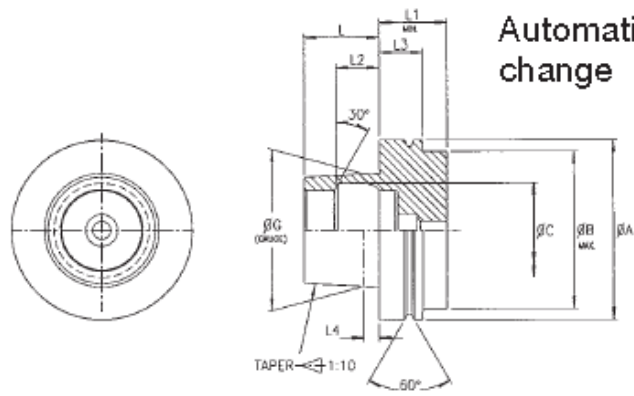


# HSK DIN 69893 F

## HSK DIN 69893 F

DIN 69893-1:1996-01- Form 'F' high speed applications



Automatic tool change

High speed applications  
 Enlarged flange diameter for rigidity  
 No drive slots  
 Symmetrical design  
 For use on machines with automatic tool change

HSK DIN 69893 Form 'F'									
Taper	A	B	C	G	L	L1	L2	L3	L4
HSK50F	50.0	42.0	25.5	30.0	20.0	42.0	11.42	26.0	4.0
HSK63F	63.0	53.0	32.0	38.0	25.0	42.0	14.13	26.0	5.0