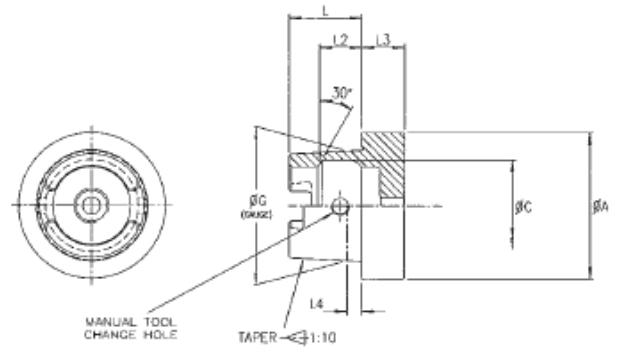


HSK DIN 69893 C (MANUAL SHANK)

HSK DIN 69893 C

DIN 69893-1:1996-01- Form 'C' manual shank

HSK DIN 69893 Form 'C'							
Taper	A	C	G	L	L2	L3	L4
HSK32C	32.0	21.0	24.0	16.0	8.92	10.0	3.2
HSK40C	40.0	25.5	30.0	20.0	11.42	10.0	4.0
HSK50C	50.0	32.0	38.0	25.0	14.13	12.5	5.0
HSK63C	63.0	40.0	48.0	32.0	18.13	12.5	6.3
HSK80C	80.0	50.0	60.0	40.0	22.85	16.0	8.0
HSK100C	100.0	63.0	75.0	50.0	28.56	16.0	10.0



Manual tool change type only
 For use as a modular system
 For special purpose machines
 For transfer lines and lathes.

Coolant supply through the centre.